

M3TEK

来颀深圳半导体有限公司

POWER MANAGEMENT

FOR HIGH-SPEED SYSTEMS

高階电源管理 IC 专家

以高效电源管理技术，驱动未来连结

PRODUCT CATALOG

选型手册

2026



高效率
Wi-Fi 8/5G
核心电源方案



高整合
有效降低电感
尺寸与电路空间



高可靠
AI 伺服器与云
端储存专用

ABOUT US

成立于2010年，来颇科技主要从事模拟 (Analog)暨混合讯号(Mixed-signal)集成电路设计、测试、生产及营销等业务，并专注于高阶电源管理IC设计与销售，提供效率高、电感小、电压稳定、低干扰的电源管理IC芯片。主要团队是由美国、中国台湾和大中华地区精英所组成的电源IC设计公司。

电源管理IC已被广泛使用于计算机、通讯及消费性电子等产品。新兴的科技变革如通讯产业的 Wi-Fi 8、5G、云端储存产品以及 USB Type-C 的导入，对高阶电源管理IC将有更高规格及高整合之需求。

MILESTONES



使命

强化客户体验

M3TEK以持续提供客户创新、可靠、高效率及高CP值的产品为使命。借以增强客户信赖度及其产品的竞争力。

持续研发投入

持续投入大量研发资源，持续挑战及研究新技术，开发更高规格的产品。

加速新产品开发

"5G+WiFi 8提供了远程医疗，远程教学和远程办公可行性。通过M3TEK产品的创新，协助我们客户去实现远程应用，并降低碳排放量、减缓全球暖化。"

随时做好准备

产业环境及终端消费市场因受到外在刺激，需求瞬息万变，M3TEK开发具高规格、可靠性高、低功耗之产品以因应产业之变化。

公司以客户服务为导向，建立与客户的长期合作关系，藉由客制化、高整合度、高效能、高质量与具竞争力的电源管理快速的市场回馈，以及在地生产的优势环境下，为顾客提供解决方案。

愿景

透过 M3tek 经营团队的持续努力，让 M3tek 成为客户首选电源管理方案供应商。

目录

03	Boost (Step-Up) DC / DC Converter
03	Boost (Step-Up) DC/DC PWM Control
03	Buck-Boost (Step Down/Up) DC/DC PWM Control and Converter
04-06	LV Buck (Step-Down) DC-DC Converter
06	Multi Channel Power Management IC
06	LDO Regulators
07	HV Buck (Step-Down) DC-DC Converter
09	Current Limit Load Switch
10	Ideal Diode
10	Type-C CC & SBU Protection IC
10	DDR Terminator
10	Lithium Battery Charger
11	Super Capacitor Power Manager
11-14	New Generation Products

Boost (Step-Up) DC / DC Converter

Part No.	Input Voltage(V)	Switch Current(A)	Freq. (MHz)	Output Voltage (V)	Quiescent Current (uA)	Shutdown Current (uA)	Accuracy (%)	VFB (V)	Eff (%)	EN	Soft Start	OTP	Short Protection	Package (mm)	Notes
MT5075	0.9~5	0.35 0.45 0.8	0.8	Fixed 2.8/3.3/5	9	0.01	-	-	92	V	X	X	X	SOT23_5L	Low Input Voltage Step-up Converter with Low Quiescent Current
MT5070	0.9~5	0.45	0.8	Fixed 2.7/3.3/5 ADJ	12	0.01	±3	0.5	97	V	X	X	X	SOT23_6L	Low Input Voltage Step-up Converter with Low Quiescent Current
MT5080	2.7~6	1	1.5	Vadj~ 50Vmax	160	1	±3	1.25	83	V	V	V	X	SOT23_5L DFN2x2_6L	Asynchronous Step-Up DC/DC Converter with 50V 1A Integrated Switch
MT5037	2.5~5.5	4	0.8	Fixed 5.15 Vadj	125	0.1	±2	0.5	95	V	V	V	V	DFN3x3_10L	High Current Sync-Boost Converter Light Load Pulse Skip Mode
MT5033	2.5~5.5	6	0.8	Fixed 5.15 Vadj	125	0.1	±2	0.5	95	V	V	V	V	SOP8_EP	Foldback High Current Sync-Boost Converter Light Load Pulse Skip Mode
MT5035	3~5.5	6.5	0.55	Fixed 5.15 Vadj	80	0.2	±3	0.5	95	V	V	V	V	SOP8_EP	High Current Sync-Boost Converter, Light Load Pulse Skip Mode, Thermal Foldback
MT5036	2.5~5.5	6.6	0.8	Fixed 5.15 Vadj	125	0.1	±2	0.5	95	V	V	V	V	QFN4x4_16L	High Current Sync-Boost Converter Light Load Pulse Skip Mode
MT5083	3~30	20	Adj 50K~ 1MHz	30V_Max Vadj	70	3.5	±1.5	1.203	95	V	V	V	X	QFN4x4_22L	High Current Sync-Boost Converter with Light Load PSM Mode
MT5087N	2.7-18	20	Adj 50K~ 1MHz	18V_Max Vadj	70 140	5	±1.5	1.203	95	V	V	V	X	QFN4x4_20L	High Current Sync-Boost Converter with Light Load PSM Mode
MT5087A	2.7-18	20	Adj 50K~ 1MHz	18V_Max Vadj	70 140	5	±1.5	1.203	95	V	V	V	X	QFN4x4_20L	High Current Sync-Boost Converter Forced PWM
MT5088N	2.7~30	20	Adj 50K~ 1MHz	30V_Max Vadj	70	5	±1.5	1.203	95	V	V	V	X	QFN4x4_20L	High Current Sync-Boost Converter with Light Load PSM Mode
MT5088A	2.7~30	20	Adj 50K~ 1MHz	30V_Max Vadj	70	5	±1.5	1.203	95	V	V	V	X	QFN4x4_20L	High Current Sync-Boost Converter Forced PWM

Boost (Step-Up) DC / DC PWM Control

Part No.	Input Voltage(V)	Freq. (MHz)	MOSFET Type	Output Voltage (V)	Quiescent Current (uA)	Shutdown Current (uA)	Accuracy (%)	VFB (V)	Eff (%)	EN	Soft Start	OTP	Short Protection	Package (mm)	Notes
MT5086	2.7~30	Adj 50K~1 MHz	Dual N	30V_Max	55	5	±1.5	1.203	95	V	V	V	V	QFN3x3_16L	2.7V to 30V Input 55µA Quiescent Current Synchronous Boost Controller

Buck-Boost (Step Down / Up) DC / DC PWM Control and Converter

Part No.	Input Voltage(V)	Output Voltage (V)	Freq. (kHz)	Accuracy (%)	VFB (V)	MOSFET Type	Quiescent Current (uA)	Shutdown Current (uA)	Eff (%)	EN	Soft Start	OTP	Short Protection	Package (mm)	Notes
MT5615N	2~5.5	2~5V	2000	±1	0.5	Integrated *4	0.045	0.5	94	V	V	V	V	TSOT23_8L DFN3x3_8L	5V 1A Synchronous COT. Buck-Boost Converter
MT5635N	1.7~5.5	2~5V	2000	±1	0.5	Integrated *4	0.045	0.5	95	V	V	V	V	TSOT23_8L DFN3x3_8L	5V Input 3A Synchronous Buck-Boost Converter
MT5628N(A)	3.1~28	1V~28V	600	±1	1	External	1.2	1	97.5	V	V	V	V	QFN4x4_20L	28V Wide Voltage Range 4-Switch Buck-Boost Controller
MT5629N(A)	3.1~28	1V~28V	600	±1	1	Integrated 17mohm*4	1.2	1	97.5	V	V	V	V	QFN5x5_28L	28VIN up to 6A Synchronous 4-Switch Buck-Boost Converter
MT5639N(A)	3.1~28	1V~28V	200	±1	1	Integrated 17mohm*4	1.2	1	97.5	V	V	V	V	QFN5x5_28L	28VIN up to 6A Synchronous 4-Switch Buck-Boost Converter

LV Buck (Step-Down) DC / DC Converter

Part No.	Input Voltage (V)	Output Current (A)	Freq. (MHz)	Quiescent Current (µA)	Accuracy (%)	VFB (V)	Max. Duty %	Soft Start	OTP	Short Protection	Discharge Resistor (Ω)	Package (mm)	Notes
MT8351A(D)(Q)	2~5.5	1	1.5	0.35	±1	-	100	V	V	V	5	DFN2x2_6L	Synchronous Step-Down Converter, VSET pin 0.4V~3.6V
MT8361A(D)(Q)	2~5.5	1	1.5	0.35	±1	-	100	V	V	V	5	WCSP_6L	Synchronous Step-Down Converter, VSET pin 0.4V~3.6V
MT8121N(A)	2.7~6	1	2.2	25	±1.5	0.6	100	V	V	V	20	SOT563	6V Input 1A 2.2MHz Synchronous Step-Down Converter, with PG pin
MT8101	2.5~6	1	2.3	26	±2	-	100	V	V	V	15	DFN1.2x1.2_6L	Synchronous Step-Down Converter, Vout Fixed 0.9/1.1/1.2/1.3V
MT8191A	2.7~6	1	2.5	500	±0.5	0.6	100	V	V	V	20	DFN1.5x1.5_6L	Synchronous COT Step-Down Converter, With EN, PG, Discharge,
MT8091A	2.7~6	1	2.5	500	±0.5	0.6	100	V	V	V	20	DFN1.5x1.5_6L	Synchronous COT Step-Down Converter, With EN, PG, Discharge,
MT8891U (B)(J)(G)	2.5~6	1	6	11	±2	-	100	V	V	V	25	WCSP_5L	Synchronous COT Step-Down Converter, EN, Discharge, PFM Mode, U=0.9V/B=1.1V/J=1.2V/G=2.8V
MT8892U	2.5~6	1	6	600	±2	-	100	V	V	V	25	WCSP_5L	Synchronous COT Step-Down Converter, EN, Discharge, Forced PWM Mode, U=0.9V
MT3152N(A)	2.5~6	1.5	1.5	28	±1.5	0.6	100	V	V	V	50	SOT23_5L DFN2x2_6L	Sync. COT Buck Converter with Output Discharge (2A Peak)
MT8821N(A)	2.3~5.5	1.5	2.3	25	±0.5	0.6	100	V	V	V	1000	DFN1.0x1.5_6L	Synchronous COT Step-Down Converter, EN, Discharge
MT3161N	2.5~6	1.5	2.5	15	±1.5	0.6	100	V	V	V	190	SOT563 QFN1.1x1.1_6L	Sync. COT Buck Converter with Light Load PSM (2A Peak)
MT8161N(A)	2.7~6	1.5	2.5	25	±1.5	0.6	100	V	V	V	20	SOT563	Sync. COT Buck Converter with Light Load PSM (2A Peak)
MT3132N(A)	2.5~6	1.5	2.5	28	±2	0.6	100	V	V	V	50	SOT23_5L DFN2x2_6L	Sync. COT Buck Converter with Output Discharge (2A Peak)
MT8152N(A)	2.7~6	2	1.5	28	±1.5	0.6	100	V	V	V	20	SOT23_5L DFN2x2_6L	Sync. COT Buck Converter with PG, Output Discharge (3A Peak)
MT8182A	2.7~5.5	2	1.5	500	±0.5	0.6	100	V	V	V	20	DFN1.5x1.5_6L	Fast PWM Synchronous Step-Down Converter (2.5A Peak)
MT8183A	2.5~5.5	2	1.5	600	±0.5	0.6	100	V	V	V	20	DFN1.5x1.5_6L	Synchronous Step-Down DC/DC Converter (3A Peak)
MT3122A	2.5~6	2	2.5	500	±1	0.6	100	V	V	V	1400	DFN1.5x1.5_6L	Sync. COT Buck Converter with PG, Output Discharge
MT3112N	2.5~6	2	2.5	15	±2	0.6	100	V	V	V	1500	SOT23_5L	Sync. COT Buck Converter with PG, Output Discharge for 1-Cell Li-Ion Application
MT8102N(A)	2.7~6	2	2.5	28	±1.5	0.6	100	V	V	V	50	SOT23_5L/SOT23_6L DFN2x2_6L	Sync. COT Buck Converter with PG, Output Discharge (3A Peak)
MT8192N(A)	2.7~5.5	2	2.5	25	±0.5	0.6	100	V	V	V	20	DFN2x2_6L DFN1.5x1.5_6L	Fast PWM Synchronous Step-Down Converter
MT3162	2.5~6	2	2.5	15	±1.5	0.6	100	V	V	V	150	SOT563	Sync. COT Buck Converter with Light Load PSM
MT8162N(A)	2.7~6	2	2.5	25	±1.5	0.6	100	V	V	V	20	SOT563	Sync. COT Buck Converter with Light Load PSM (2.8A Peak)
MT8172N	2.7~6	2	2.5	25	±1.5	0.6	100	V	V	V	20	SOT563	Sync. COT Buck Converter with Light Load PSM (2.8A Peak) With PG Function
MT8253N	2.5~5.5	3	1	17	±1	0.6	100	V	V	V	15	DFN2x2_8L	Synchronous Step-Down DC/DC Converter with PG pin
MT8103N(A)	2.5~5.5	3	1.25	18	±1	0.6	100	V	V	V	10	SOT563	Sync. COT Buck Converter with PG, Output Discharge (4A Peak)
MT8163A	2.7~5.5	3	1.4	600	±0.5	0.6	100	V	V	V	20	DFN 1.5x1.5_6L	Synchronous Step-Down DC/DC Converter
MT8173N(A)	2.5~5.5	3	1.5	18	±0.5	0.6	100	V	V	V	20	DFN1.5x1.0_5L	Synchronous Step-Down DC/DC Converter
MT8373N(A)	2.5~5.5	3	1.5	18	±0.5	0.6	100	V	V	V	12	DFN2x2_8L	Synchronous Step-Down DC/DC Converter
MT8133N	2.5~5.5	3	1.5	18	±2	0.6	100	V	V	V	50	DFN2x2_8L SOT23_5(6)L	Synchronous Step-Down DC/DC Converter
MT8233N	2.5~5.5	3	1.5	18	±1	0.6	100	V	V	V	20	DFN2x2_8L	Synchronous Step-Down DC/DC Converter
MT8193N(A)	2.5~5.5	3	1.5	18	±2	0.6	100	V	V	V	20	SOT23_5(6)L DFN2x2_8L	Sync. COT Buck Converter with PG, Output Discharge

LV Buck (Step-Down) DC / DC Converter

Part No.	Input Voltage(V)		Output Current (A)	Freq. (MHz)	Quiescent Current (uA)	Accuracy (%)	VFB (V)	Max. Duty %	Soft Start	OTP	Short Protection	Discharge Resistor (Ω)	Package (mm)	Notes
MT8068N	2.5~5.5	3	1.5	18	±2	0.6	100	V	V	V	50	DFN3x3_10L	Synchronous Step-Down DC/DC Converter	
MT8168N(A)	2.5~5.5	3	1.5	18	±2	0.6	100	V	V	V	20	DFN3x3_10L	Synchronous Step-Down DC/DC Converter	
MT8593N(A)	2.5~5.5	3	2.5	18	±2	0.6	100	V	V	V	20	SOT23_5(6)L DFN2x2_8L	Sync. COT Buck Converter with PG, Output Discharge	
MT8568N(A)	2.5~5.5	3	2.5	18	±2	0.6	100	V	V	V	20	DFN3x3_10L	Synchronous Step-Down DC/DC Converter	
MT3124N	2.5~6	3.5	1.2	15	±1.5	0.6	100	V	V	V	1000	QFN2x2_12L	Sync. COT Buck Converter with PG	
MT8124N(A)	2.5~5.5	3.5	1.25	20	±0.5	0.6	100	V	V	V	20	QFN2x2_12L	Fast-PWM Synchronous Step-Down	
MT3153N(A)	2.5~6	3.5	1.5	15	±2	0.6	100	V	V	V	240	TSOT23_5L	Sync. COT Buck Converter with PG, Output Discharge	
MT3194N	2.7~6	4	1.2	18	±1	0.6	100	V	V	V	65	QFN2x3_12L	Fast-PWM Synchronous Step-Down Converter	
MT8194N	2.7~5.5	4	1.2	20	±1	0.6	100	V	V	V	20	QFN2x3_12L	Fast-PWM Synchronous Step-Down Converter	
MT3123 MT3123A MT3123B	2.5~6	4	1.25	15	±1.5	0.6	100	V	V	V	1000 1000 260	QFN3x3_16L	Sync. COT Buck Converter with PG Sync. COT Buck Converter with PG, SS Sync. COT Buck Converter with PG, SS, Discharge	
MT8123N	2.5~5.5	4	1.25	18	±1	0.6	100	V	V	V	20	QFN3x3_16L	Low Iq FAST-PWM Synchronous Step-Down Converter	
MT3068N	2.5~6	4	1.5	15	±2	0.6	100	V	V	V	240	DFN3x3_10L	Sync. COT Buck Converter with PG, Output Discharge	
MT8365N(A)	2.5~5.5	5	1.2	21	±1	0.4	100	V	V	V	10	SOT583_8L	Sync. COT Step-Down DC/DC Converter with PG,EN,	
MT3126N(A)	2.5~6	5	1.2	15	±1	0.6	100	V	V	V	1000	QFN2x2_12L	Sync. COT Buck Converter with PG	
MT8126N(A)	2.5~5.5	5	1.25	20	±0.5	0.6	100	V	V	V	20	QFN2x2_12L	Fast-PWM Synchronous Step-down Converter	
MT8165A	2.7~5.5	5	1.35	500	±0.5	0.61	100	V	V	V	15	QFN3x4_14L	Fast-PWM Synchronous Step-Down Converter	
MT3035N	2.5~6	5	1.5	15	±2	0.6	100	V	V	V	240	DFN3x3_10L	Sync. COT Buck Converter with SS, PG	
MT3185N(A)	2.7~6	5	2.5	17	±1.0	0.8	100	V	V	V	50	DFN2x2_7L	Fast PWM Synchronous Step-Down Converter with PG	
MT3076N(A)	2.7~6	6	1	17	±1.0	0.6	100	V	V	V	6	DFN2x2_7L	Fast PWM Synchronous Step-Down Converter with PG,EN, VOS Pin, Hiccup Mode for Protection	
MT3196N	2.7~6	6	1.2	18	±1	0.6	100	V	V	V	65	QFN2x3_12L	Fast-PWM Synchronous Step-Down Converter	
MT8196N	2.7~5.5	6	1.2	20	±1	0.6	100	V	V	V	20	QFN2x3_12L	Fast-PWM Synchronous Step-Down Converter	
MT3127N(A)	2.7~6	6A/10A	1.2	18	±1.0	0.61	100	V	V	V	X	QFN3x3_9L	Sync. FAST PWM Buck Converter with PFM Mode "A" with Force PWM mode	
MT3128N	2.7~6	6A/8A	1.2	18	±1.0	0.61	100	V	V	V	X	QFN4x4_20L	Sync. FAST PWM Buck Converter with PFM Mode	
MT3128A	2.7~6	6A/8A	1.2	500	±1.0	0.61	100	V	V	V	X	QFN4x4_20L	Sync. FAST Force PWM Buck Converter with Force PWM mode	
MT8129A	2.7~5.5	6A/10A	1.2	500	±0.5	0.61	100	V	V	V	20	QFN3x4_14L	Fast-PWM Synchronous Step-Down Converter	
MT8859A	2.7~5.5	6A	1.2	500	±0.5	0.5	100	V	V	V	20	QFN2x3_14L	Fast-PWM Synchronous Step-Down Converter	
MT3125	2.5~6	6	1.25	15	±1	0.6	100	V	V	V	1000	QFN3x3_16L	Sync. COT Buck Converter with PG	
MT8166N(A)	2.7~5.5	6	1.35	18	±0.5	0.61	100	V	V	V	20	QFN3x4_14L	Fast-PWM Synchronous Step-Down Converter,with PG, SS,EN Pin,discharge	
MT8139A	2.7~5.5	6A/10A	2.2	500	±0.5	0.5	100	V	V	V	20	QFN3x4_14L	Fast-PWM Synchronous Step-Down Converter	
MT8106A	2.7~5.5	6	2.2	500	±0.5	0.61	100	V	V	V	20	QFN3x4_14L	Fast-PWM Synchronous Step-Down Converter	

LV Buck (Step-Down) DC / DC Converter Module

Part No.	Input Voltage(V)	Output Current (A)	Freq. (MHz)	Quiescent Current (uA)	Accuracy (%)	VFB (V)	Max. Duty %	Eff (%)	Output Voltage (V)	Soft Start	OTP / Short Protection	Package (mm)	Notes
MTM002	2.5~6	1.5	15	15	±2	0.6	100	92	Vadj	V	V	LGA3x3_7L	Sync. Buck Converter Module without ext inductor and cap (2A peak)
MTM003	2.5~6	1.5	2.5	15	±2	0.6	100	92	Vadj	V	V	LGA3x3_7L	Sync. Buck Converter Module without ext inductor and cap (2A peak)
MTM006N(A)	2.5~5.5	3	2.2	20	±1	0.6	100	96	Vadj	V	V	QFN2.5x3.5_18L	Sync. Buck Converter Module without ext inductor and cap

Multi Channel Power Management IC

Part No.	Input Voltage(V)	Freq. (MHz)	Output Current (A)	Quiescent Current (uA)	Output Voltage (V)	Accuracy (%)	VFB (V)	Eff. (%)	Max.Duty (%)	Soft Start	OTP / Short	Package (mm)	Notes
MT8293A	2.5~5.5	1.25	3 x 2CH	500	Vadj	±0.5	0.6	93	100	V	V	DFN4x3_14L	Dual Sync COT Buck Converter with Light Load FPWM
MT3222N	2.5~6	1.5	2.5 x 2CH	38	Vadj	±1.5	0.6	95	100	V	V	TSOT23_8L	Dual Sync COT Buck Converter with Light Load PSM
MT3223N	2.5~6	1.5	3 x 2CH	38	Vadj	±1.5	0.6	95	100	V	V	DFN3x3_10L	Dual Sync COT Buck Converter with Light Load PSM
MT3253N(A)	2.5~6	2.5	2.5 x 2CH	38	Vadj	±1.5	0.6	93	100	V	V	TSOT23_8L DFN2.5x1.5_8L	Dual Sync COT Buck Converter with Light Load PSM
MT3263N	2.5~6	2.5	2.5 x 2CH	38	Vadj	±1.5	0.6	93	100	V	V	DFN2.5x1.5_8L	Dual Sync COT Buck Converter with Light Load PSM With Deep Sleep Function
MT8272N(A)	4.5~18	1.5	2.5 x 2CH	250	Vadj	±2	0.6	94	100	V	V	DFN3x3_10L	Dual Fast-PWM Synchronous Step-Down Converter with Light Load PFM With Deep Sleep Function
MT8252N(A)	4.5~18	0.72	3 x 2CH	250	Vadj	±2	0.6	96	100	V	V	DFN3x3_10L	Dual Fast-PWM Synchronous Step-Down Converter with Light Load PFM With Deep Sleep Function
MT3902U	4~36	0.18	4/CH	100	Vadj	±2	0.8	98	100	V	V	QFN5x5_20L	Dual Buck Converter with Quad-Channel Current limit With CC foldback + Ultra-sonic mode at light load
MT3902X	4~36	0.18	4/CH	100	Vadj	±2	0.8	98	100	V	V	QFN5x5_20L	Dual Buck Converter with Quad-Channel Current limit Without CC foldback + Ultra-sonic mode at light load

Specific LDO

Part No.	Input Voltage(V)	Output Current (mA)	Quiescent Current (uA)	Accuracy (%)	VFB (V)	Output Voltage (V)	Dropout Voltage (mV)	OTP	Short Protection	PSRR (dB)	Package (mm)	Notes
MT7109	3.5~60	200	1	±2	-	Fixed 1.8V,2.8V, 3.0V,3.3V,3.6V,5.0 V,9.0V, 12.0V	600@100mA	V	V	80/1KHz	SOT23_5L	1.5uA Iq 60V Low Dropout voltage Regulator
MT7110	2.5~	250	1	±2	-	Fixed 1.2V, 1.65V, 1.8V, 2.5V and 3.3V	150@100mA 250@200mA	V	V	80/10Hz 68/100Hz	SOT23_5L	250mA Low Iq 1uA LDO
MT7106	5.5	250	14	±2	-	Fixed 0.9V,1.2V, 1.5V,1.8V,2.5V, 2.7V,2.8V, 3.3V	60@100mA 120@200mA	V	V	80/100Hz 50/100KHz	DFN1x1_4L	250mA high PSRR Low Dropout Voltage Regulator
MT7107	2.5~	250	12	±2	-	Fixed 0.9V,1.05V, 1.1V,1.2V,1.5V,1.8V 2.5V, 2.8V,3V, 3.3V	60@100mA 120@200mA	V	V	80/100Hz 50/100KHz	SOT23_5L DFN1x1_4L	250mA high PSRR Low Dropout Voltage Regulator
MT7172	5.5	2000	1	±0.5	-	0.8~3.6	140@2A	V	V	70/1KHz 35/300KHz	DFN3x3_10L	2A Ultra Low Dropout Voltage LDO Regulators with Soft-Start,OCP
MT7113	2.5~	3000	140	±1.5	0.8	ADJ	150@2A 250@3A	V	V	80/1KHz	SOP8_EP DFN3x3_10L	3A Ultra Low Dropout voltage Regulator

HV Buck (Step-Down) DC/DC Converter

Part No.	Input Voltage(V)	Output Current(A)	Freq. (KHz)	Accuracy (%)	VFB (V)	Max. Duty %	Eff. (%)	Control Mode	Soft Start	OTP	Short Protection	Package (mm)	Notes
MT3570N(A)	4.7~18	2	500	±2.5	0.8	100	95	Current Mode	V	V	V	SOT23_6L	Sync. Buck Converter with Light Load PSM
MT3770N(A)	4.7~24	2	500	±2.5	0.8	100	95	Peak Current Mode	V	V	V	SOT23_6L FN2x2_6L	Sync. Buck Converter with Light Load PSM
MT3622N(A)	4.3~24	2	650	±2	0.765	100	93	COT	V	V	V	SOT23_6L	Fast-PWM Synchronous Step-Down Converter
MT3682N(A)	4.3~24	2	650	±2	0.6	100	93	COT	V	V	V	SOT23_6L	Fast-PWM Synchronous Step-Down Converter
MT3562N(A)	4.5~18	2	720	±2	0.804	100	93	COT	V	V	V	SOT23_6L	Fast-PWM Synchronous Step-Down Converter
MT3582N(A)	4.5~18	2	720	±2	0.6	100	93	COT	V	V	V	SOT23_6L	Fast-PWM Synchronous Step-Down Converter
MT3552N(A)	4.5~18	2	720	±2	0.804	100	93	COT	V	V	V	SOT563	Fast-PWM Synchronous Step-Down Converter
N MT8952N(A)	4.5~18	2	720	±2	0.804	100	95	COT	V	V	V	SOT563	Fast-PWM Synchronous Step-Down Converter,PFM/FPWM mode
MT3702N(A)	4.7~24	2	1400	±1.35	0.598	100	92	Peak Current Mode	V	V	V	SOT23_6L	Sync. Step-Down Converter with Light Load PSM
N MT8972N(A)	4.5~18	2	1500	±2	0.6	100	92	COT	V	V	V	SOT563	Fast-PWM Synchronous Step-Down Converter
N MT8992N(A)	4.5~18	2	1500	±2	0.804	100	93	COT	V	V	V	SOT563	Fast-PWM Synchronous Step-Down Converter,PFM/FPWM mode
MT8552N(A)	4.5~18	2	1500	±2	0.6	100	93	COT	V	V	V	SOT23_6L	Fast-PWM Synchronous Step-Down Converter
MT3592N(A)	4.5~18	2	1500	±2	0.804	100	94	COT	V	V	V	SOT563	Fast-PWM Synchronous Step-Down Converter
MT3510N(A)	4.7~18	2.5	500	±2.5	0.6	100	95	Peak Current Mode	V	V	V	SOT23_6L	Sync. Buck Converter with Light Load PSM
MT3703N(A)	4.7~24	2.5	1400	±1.35	0.598	100	92	Peak Current Mode	V	V	V	SOT23_6L	Sync. Step-Down Converter with Light Load PSM
MT8553N(A)	4.5~18	2.5	1500	±2	0.6	100	93	COT	V	V	V	SOT23_6L	Fast-PWM Synchronous Step-Down Converter
MT3571N(A)	4.7~18	3	500	±2.5	0.8	100	95	Peak Current Mode	V	V	V	SOT23_6L	Sync. Buck Converter with Light Load PSM
MT3713N	4.7~24	3	500	±2	0.6	100	95	Peak Current Mode	V	V	V	SOT23_6L	Sync. Buck Converter with Light Load PSM
MT3771N(A)	4.7~24	3	500	±2.5	0.8	100	95	Peak Current Mode	V	V	V	SOT23_6L	Sync. Buck Converter with Light Load PSM
MT3623N(A)	4.3~24	3	650	±2	0.765	100	93	COT	V	V	V	SOT23_6L	Fast-PWM Synchronous Step-Down Converter
MT3683N(A)	4.3~24	3	650	±2	0.6	100	93	COT	V	V	V	10 SOT23_6L	Fast-PWM Synchronous Step-Down Converter
MT8683N(A)	4~24	3	700	±1.35	0.6	100	92	COT	V	V	V	SOT23_6L	Fast-PWM Synchronous Step-Down Converter
MT3553N(A)	4.5~18	3	720	±2	0.804	100	93	COT	V	V	V	SOT563	Fast-PWM Synchronous Step-Down Converter
MT3563N(A)	4.5~18	3	720	±2	0.804	100	93	COT	V	V	V	SOT23_6L	Fast-PWM Synchronous Step-Down Converter
MT3583N(A)	4.5~18	3	720	±2	0.6	100	93	COT	V	V	V	SOT23_6L	Fast-PWM Synchronous Step-Down Converter
N MT8983M	4~24	3	1200	±1.25	0.8	100	92	COT	V	V	V	SOT583	Synchronous Step-Down DC/DC Converter,With SS, BST,EN, Mode pin, Mode for USM, PFM, and PWM

Part No.	Input Voltage (V)	Output Current (A)	Freq. (KHz)	Accuracy (%)	VFB (V)	Max. Duty %	Eff. (%)	Control Mode	Soft Start	OTP	Short Protection	Package (mm)	Notes
MT8993N	4~24	3	1200	±1.25	0.8	100	92	COT	V	V	V	SOT583	Synchronous Step-Down DC/DC Converter, With SS, BST, EN, Mode pin, Mode for USM, PFM, and PWM
MT8693N(A)	4~24	3	1400	±1.35	0.6	100	92	COT	V	V	V	SOT23_6L	Fast-PWM Synchronous Step-Down Converter
MT3515N(A)(U)	4.5~24	3	1400	±1.5	0.8	100	93	COT	V	V	V	TSOT23_8L DFN3x3_10L	Fast-PWM Synchronous Step-Down Converter
MT8973N(A)	4.5~18	3	1500	±2	0.6	100	92	COT	V	V	V	SOT563	Fast-PWM Synchronous Step-Down Converter
MT3593N(A)	4.5~18	3	1500	±2	0.804	100	94	COT	V	V	V	SOT563	Fast-PWM Synchronous Step-Down Converter
MT3513N(A)	4.5~18	3.5	500	±2	0.6	90	95	Current Mode	V	V	V	TSOT23_6L	Sync. Buck Converter with Light Load PSM
MT3503N(A)	4.5~18	3.5	1000	±2	0.6	85	95	Current Mode	V	V	V	TSOT23_6L	Sync. Buck Converter with Light Load PSM
MT3505N(A)(U)	4.5~24	4	500	±1.5	0.6	100	95	COT	V	V	V	TSOT23_8L DFN3x3_10L	Fast-PWM Synchronous Step-Down Converter, Iout 5A Peak
MT3935N(A)	4.3~26	4	500	±2	0.8	100	95	COT	V	V	V	SOP8_EP DFN4x3_14L	Fast-PWM Synchronous Step-Down Converter- COT UA mode, "A" with COT FPWM mode
MT3905N (U)(A)(H)	4~30	4	500	±2	0.8	100	95	COT	V	V	V	SOP8_EP DFN4x3_14L	Fast-PWM sync BUCK converter, Iout 5A Peak "U" with ultra sonic mode, "A" with Forced PWM mode "H" with ultra sonic mode + Vo short Hiccup mode
MT8685M	4~24	4	670	±1.25	0.8	100	92	COT	V	V	V	SOT583	Synchronous Step-Down DC/DC Converter, With SS, BST, EN, Mode pin, Mode for USM, PFM, and PWM
MT8965N(A)	4.5~18	6	500	±1	0.6	100	95	COT	V	V	V	TSOT23_6L DFN2.5x1.5_10L	Fast-PWM Synchronous Step-Down Converter with EN Pin, discharge 10 ohm
MT8905N(U)	4~32	5	500	±2	0.8	100	98	COT	V	V	V	SOP8_EP DFN4x3_14L	Fast-PWM Synchronous Step-Down Converter with SS pin, "N" with pulse skip mode, "U" with ultrasonic skip mode
MT3901N(X)(U)	4~36	5	180	±2	0.8	100	98	COT	V	V	V	SOP8_EP	Sync. Buck Converter with Dual-Channel Current limit "N" With CC foldback, "X" Without CC foldback, "U" With CC foldback + Ultra-sonic mode at light load
MT3991N(U)	4~36	5	180	±2	0.8	100	98	COT	V	V	V	SOP8_EP	Synchronous Step-down Converter with Programmable Current Limit
MT3931N(A)	4.3~26	5	200	±2	0.8	100	97	COT	V	V	V	SOP8_EP	Fast-PWM Synchronous Step-Down Converter- "N" with COT UA mode, "A" with COT FPWM mode
MT3906M	4.2~28	6	560	±1	0.6	100	95	COT	V	V	V	QFN3x3_16L	Fast-PWM Synchronous Step-Down Converter, Mode Pin to Select PFM, FPWM, UA mode
MT3916M	4.2~28	6	560	±1	0.6	100	95	COT	V	V	V	QFN3x3_16L	Fast-PWM Synchronous Step-Down Converter, Mode Pin to Select PFM, FPWM, UA mode
MT3526M	4~33	6	Programmable, 100K~1MHz	±1	I2C	100	98	I2C Interface	V	V	V	QFN3X3_18L	Synchronous Buck Converter with I2C Interface, Output range 3V to 21V with 10mV steps PPS
MT3536M	4~33	6	Programmable, 100K~1MHz	±1	I2C	100	99	I2C Interface	V	V	V	QFN3X3_18L	Synchronous Buck Converter with I2C Interface, Output range 3V to 28V with 20mV steps PPS
MT3886MFFR	4.5~33	6	700	±1	0.604	100	94	COT	V	V	V	QFN2X3_12L	Fast-PWM Synchronous Step-Down Converter
MT3956N(A)(U)	3~18	6	1500	±1	0.6	100	94	COT	V	V	V	QFN3x3_16L	Fast-PWM Synchronous Step-Down Converter
MT3968N(A)(U)	3~18	8	700	±1	0.6	100	94	COT	V	V	V	QFN3x3_16L	Fast-PWM Synchronous Step-Down Converter
MT3998MQDR MT3998MFAR	3~28	8	Adj. 200K~1.2MHz	±1	0.6	100	95	COT	V	V	V	QFN4x4_20L QFN3x3_16L	Fast-PWM Synchronous Step-Down Converter for Fast Transient Response
MT8478MFUR	4.2~18	8	1300	±1	0.4	100	95	COT	V	V	V	QFN2X3_10L	Synchronous Step-Down Converter with Mode pin to selec UAM/FPWM, PG pin
MT3912N(A)(U)	3~18	12	1500	±1	0.6	100	95	COT	V	V	V	QFN3x3_16L	Fast-PWM Synchronous Step-Down Converter with PG, EN pin Hiccup Mode for SCP

Current Limit Switch With IEC / UL Safety approvals (IEC / UL 62368-1)

Part No.	Input Voltage(V)	Max. Rating (V)	Output Current (A)	Switch Rds_on (mohm)	I _{LIMIT}	Fault	OVP Clamping (V)	SS	Short Circuit Protection	OTP	Package (mm)	Notes
MT7932	3.3~33	36	5	25	V	V	V	V	V	V	QFN3x3_16L	Load Switch with I2C Interface and Programmable Over-current Over-voltage protection for USB PD Application
MT7231	3~24	28	6	24	V	V	V	V	V	V	QFN2.5x3.2_16L	28V Unidirectional 6A Load Switch with True Reverse Blocking and Fast Role Swap
MT7232	3~24	28	6	24	V	V	V	V	V	V	QFN2.5x3.2_16L	28V Bidirectional 6A Load Switch

Current Limit Switch With IEC / UL Safety approvals (IEC / UL 2367)

Part No.	Input Voltage(V)	Max. Rating (V)	Output Current (A)	Switch Rds_on (mohm)	I _{LIMIT}	Fault	OVP Clamping (V)	SS	Short Circuit Protection	OTP	Package (mm)	Notes
MT7633	2.7~5.5	6.5	3.5	40	V	V	V	V	V	V	TSOT23_6L	Load Switch with 28V Output Reverse Block & Adjustable Current limit, Fast Role Swap

Current Limit Switch

Part No.	Input Voltage(V)	Max. Rating (V)	Output Current (A)	Switch Rds_on (mohm)	I _{LIMIT}	Fault	OVP Clamping (V)	SS	Short Circuit Protection	OTP	Package (mm)	Notes
MT7255	2.7~6	30	3	50	V	X	V	V	V	V	SOT23_3L DFN2x2_8L	Over-Voltage and Over-Current Protection IC, Output Discharge
N MT7653	2.7~5.5	6.5	4	30	V	V	V	V	V	V	DFN1.5x1.5_6L	Load Switch with 28V Output Reverse Block & Adjustable Current limit
MT7692	1.8~5.5	6.5	4	26 48	V	X	V	V	V	V	DFN1.2x1.6_4L SOT23_5L	Low Ron Power Distribution load switch, Output Discharge
MT7693	1.8~5.5	6.5	4	26 48	V	X	V	V	V	V	DFN1.2x1.6_4L SOT23_5L	Low Ron Power Distribution load switch (Reverse Blocking Function allows VOUT be higher than VIN in shutdown)
MT7621	0.3~2	6	5	12	V	V	V	V	V	V	DFN1.5x1.5_6L	Low-input-voltage 5A Current-limited Load Switch, with hiccup mode
N MT7622	0.4~3.6	6	5	13	V	V	V	V	V	V	DFN1.5x1.5_6L	Low-input-voltage 5A Current-limited Load Switch, with hiccup mode, discharge 12 ohm
MT7696	2.7~5.5	18	5	30	V	V	V	V	V	V	QFN2x2_9L	Programmable High Current Protection Switch with Reverse Blocking Programmable Soft-Start Time
MT7256	2.7V~6	30	5	50	V	X	V	V	V	V	DFN2x2_8L	Over-Voltage and Over-Current Protection IC, Output Discharging
MT7201(A)	2.7~18	20	5	25	V	X	V	V	V	V	DFN3x3_10L	Programmable Current Limit Load Switch with Clamping Output Voltage, Output Discharge
MT7203	4.5~18	20	5	25	V	X	V	V	V	V	DFN3x3_10L	Load Switch with Over-voltage Protection and Blocking FET Control, Clamping Output Voltage, Output Discharging
MT7281	3~24	28	5	35	V	V	V	V	V	V	QFN4x4_20L	Unidirectional 5A Load Switch with True Reverse Blocking and Fast Role Swap
MT7282	3~24	28	5	35	V	V	V	V	V	V	QFN4x4_20L	28V Bidirectional 5A Load Switch
MT7956	4.5~32	36	5	32 55 400	V	X	V	V	V	V	QFN5x5_40L	2 to 1 Power MUX and Overvoltage protection for USB PD Application
MT7262	3~21	30	6	X	V	V	V	V	V	V	DFN2x2_8L	21V Bidirectional 6A Load Switch

Ideal Diode

Part No.	Input Voltage(V)	Max. Rating (V)	Output Current (A)	Fast Turn-off Limits Reverse Current	OTP	Package (mm)	Notes
MT7235	2.7~24	28	5	V	V	DFN2x3_8L	Very Low Forward Voltage Diode, Surge up to 28V

Type-C CC and SBU pin ESD & High Voltage Short Protection Function

Part No.	Input Voltage(V)	Max. Rating (V)	OVP Clamping (V)	CC1/CC2 pull down resistors for handling dead battery condition	OTP	Package (mm)	Notes
MT7931	0V~32V	32	V	V	V	QFN3x3_20L	Type-C CC and SBU Over-Voltage and IEC ESD Protection Switch
MT7538	0~24	28	V	V	V	QFN3x3_16L	Type-C CC and SBU pin Over-Voltage and IEC ESD Protection
MT7530 MT7531	0~24	28	V	V X	V	QFN3x3_20L	Type-C CC and SBU pin Over-Voltage and IEC ESD Protection

DDR Termination

Part No.	Input Voltage(V)	LDOIN Ranger (V)	VO Ranger (V)	Output Current (Source/Sink) (A)	VO Tracks 1/2 of VDDQSEN	High-Z Stage Accuracy	Soft-stop Stage	Buffered Reference (REFOUT)	Cout (min)	VOSEN	UWLO	Soft Start	OTP OCP	Package (mm)	Notes
MT7217	3.3 5	0.4~3.5	0.5~0.9	2	±1%	S3	S4 S5	+/-10mA	10uF	V	V	V	V	DFN2x2_10L	Meets DDR DDR2 JEDEC Specifications; Support DDR3 and Low Power DDR3/DDR4 VTT Bus Termination
MT7216	3.3	1.1~3.5	0.6~1.25	3	±1%	S3		+/-10mA	10uF	V	V	V	V	DFN3x3_10L	Meets DDR DDR2 JEDEC Specifications; Support DDR3 and Low Power DDR3/DDR4 VTT Bus Termination

Lithium Ion Battery Charger

Part No.	Input Voltage(V)	Max. Rating (V)	Output Current (A)	Accuracy (%)	Recharge	Mode	Cell No.	Timer	INPUT OVP (V)	Soft Start	OTP OVP Short	Package (mm)	Notes
MT2575	4.5~6.5	20	1.5	±1	V	Linear	1	Adj	6.6	V	V	QFN3x3_16L	1 Cell Linear Charger Auto Input Current Limit Foldback for USB Port and Adapter Integrated Dynamic Power Path Management
MT2580	4.5~6.5	20	1.6	±1	V	Linear	1		6.6	V	V	SOP8_EP	1 Cell Linear Charger Auto Input Current Limit Foldback for USB Port and Adapter
MT2000	4.5~15	20	3	±1	V	PWM 1.5MHz	1	7hr	6.6 16.5	V	V	QFN4x4_20L	1 Cell Sync. Switching Charger with Power Path Control Dynamic Power Management
MT2001	4.5~15	20	3	±1	V	PWM 1.5MHz	1	7hr	6.6 16.5	V	V	QFN4x4_20L	1 Cell Sync. Switching Charger
MT2011	4.5~6.5	20	2	±1	V	PWM 1.5MHz	1	6.7/14	V	V	V	SOP8_EP	1 Cell Sync. Switching Charger Built In Reverse Current Blocking Diode
MT9528	4~6	18	IC _{CHG} =2A I _{out} =3A	±0.75	V	PMW 500KHz	2	8hr	V	V	V	QFN4x4_20L	500KHz Boost Charger for 2-Cell (2A) Li-Ion Battery with Reverse Buck Converter

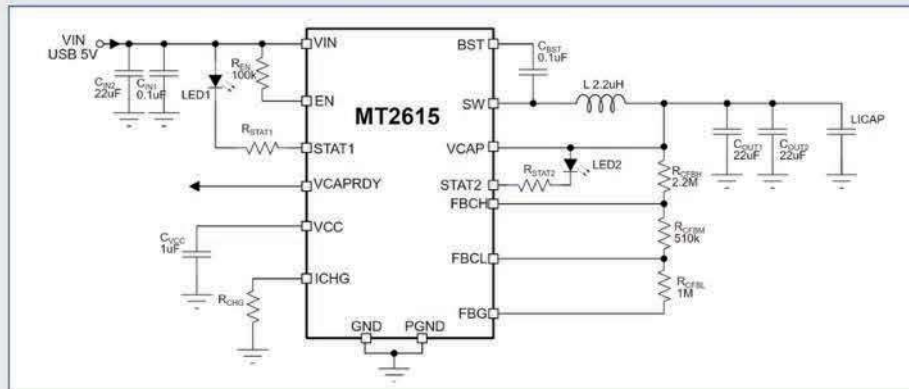
Super Capacitor Power Manager for Backup Power Applications

Part No.	Input Voltage(V)	Max. Rating (V)	Output Current (A)	Cap No.	INPUT OVP (V)	Soft Start	OTP OVP Short	Package (mm)	Notes
MT2600	2.5~5.5	12	2	2	6	V	V	DFN3x3_10L	Super Capacitor Power Manager for Backup Power Applications
MT2601N	2.5~5.5	18	2	2	6	V	V	DFN3x3_10L	Super Capacitor Power Manager for Backup Power Applications
MT2601B	2.5~5.5	18	2	2	6	V	V	DFN3x3_10L	Super Capacitor Power Manager for Backup Power Applications (w/o Automatic Cell Balancing)

NEW GENERATION PRODUCTS

MT2615

High Current Hybrid Super Capacitor Charger with Monitor Function



FEATURES

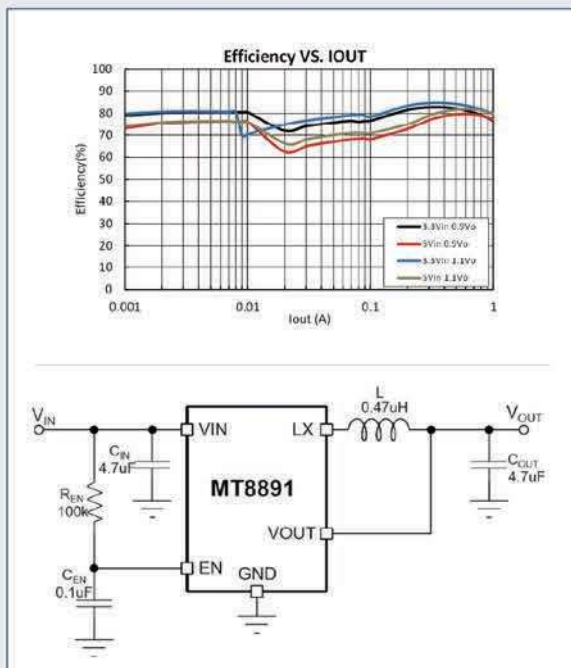
- 3.5V to 6V wide Input Voltage range
- 18V Vin surge capability
- Up to 5A charge current.
- Programmable Super Cap Charge Current
- 1µA Ready Quiescent Current
- 4.5V VIN DPM function
- Programmable Super Cap Under Voltage
- Super Cap Low Voltage Warning
- QFN3x3_16L Package

APPLICATIONS

- Handheld Industrial Equipment
- Portable Computers
- Portable Devices with a Removable Battery
- Industrial Sensor and Actuators
- Aftermarket Automotive Tracking

MT8891

5V Input 1A 6MHz Step-Down DC/DC Converter



FEATURES

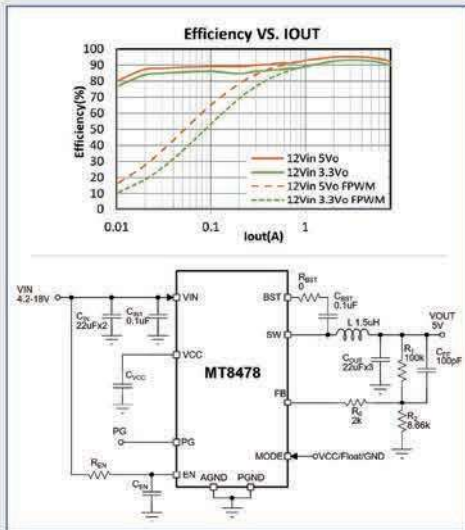
- Wide Input Range from 2.5V to 6V
- Proprietary Fast Transient Constant On Time Architecture Stable with low ESR Ceramic Output Capacitors
- +/- 2% VOUT accuracy
- 11µA Low Quiescent Current
- 1A Continuous Output Current, 1.8A Peak Current
- Built-in HS/LS Ron 115mΩ/50mΩ, Vin=5V Switches
- Internal 200µsec Soft-Start
- Cycle-by-cycle Current Limit Protection
- Over-Load and Short Circuit Hiccup Mode
- Input Under/Over Voltage Lockout
- Output Discharging Function in Shutdown
- Thermal Shutdown Protection
- Hiccup Mode for Short Circuit and Over-Load Protection
- Available in WLCSP_5L Package

APPLICATIONS

- Wireless Earphones / Headset
- Portable game consoles
- Wearable devices
- Smart Phone and Tablets
- DC/DC Micro Modules
- Camera module

Part No.	Input Voltage(V)	Max. Rating (V)	Output Current (A)	Cap.No.	INPUT OVP (V)	Soft Start	OTP OVP Short	Package (mm)	Notes
MT2603	2.5~5.5	18	4	1	6.05	V	V	DFN3x3_12L	Hybrid Super Capacitor Power Manager for Backup Power Applications (Cap Range 1.8V~3.8V)
MT2615	3.5~6	18	5	1	6.27	V	V	DFN3x3_12L	High Current Hybrid Super Capacitor Charger with Monitor Function (Cap Range 1.8V~5V)

MT8478



FEATURES

Internal 1.5ms Soft-start	Available in a QFN2X3_10L Package
400mV Reference Voltage	Hiccup mode short circuit protection
1.3MHz Switching frequency	High Efficiency Operation at light load
Accurate EN UVLO threshold	Thermal Shutdown with Auto recovery.
8A continuous output current	Integrated 19mΩ/ 9mΩ HS/LS Power Switches
Output Voltage range: 0.4V to 18V	Support 100% duty cycle Low Dropout Operation
Input Voltage Range: 4.2V to 18V	Stable operation with low ESR ceramic output capacitors

Fast PWM COT control with superior transient performance and stable switching frequency.

APPLICATIONS

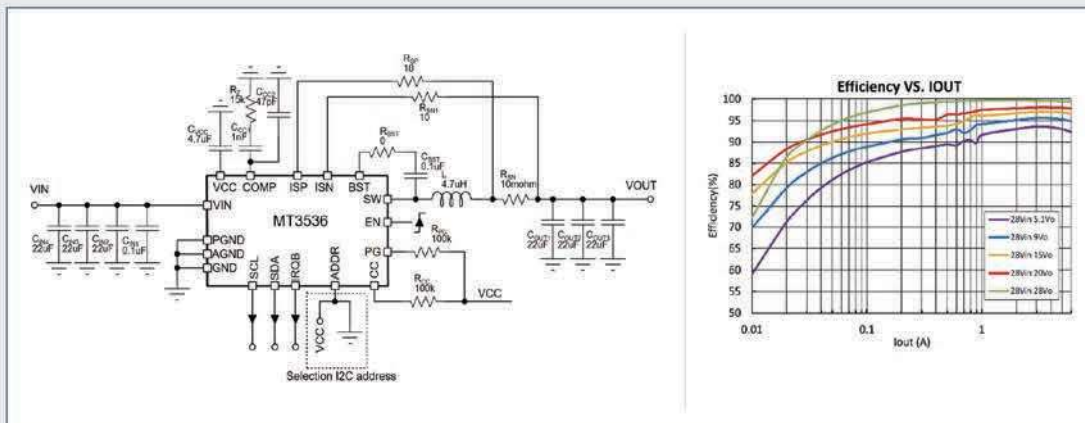
- Digital Set-Top Boxes
- Communication Equipment
- Computing and Edge Devices
- Consumer and Embedded Products
- Gaming consoles and graphics card power supplies

MT3536

33V 6A Synchronous Buck Converter with I2C Interface & PPS

FEATURES

Wide Input Range: 4V to 33V	Integrated 15mΩ and 15mΩ HS/LS power switches
Wide output range: 3V to 28V	Support USB PD3.0/QC4.0 with PPS in 20mV steps
6A Continuous Output Current	Programmable output constant-current regulation
Cycle-by-Cycle peak Current Limit	Programmable switching frequency : 100K, 200K, 400K, 700KHz, and 1MHz.
Small QFN3mmX3mm_18L Package	Programmable output slew rate, cable compensation, PFM/FPWM mode
100% Duty Cycle Low Dropout Operation	



APPLICATIONS

- TV monitor
- Wall charger
- USB Type C docking station
- Car USB-C fast charging module
- PMBus-compatible point-of-load converters

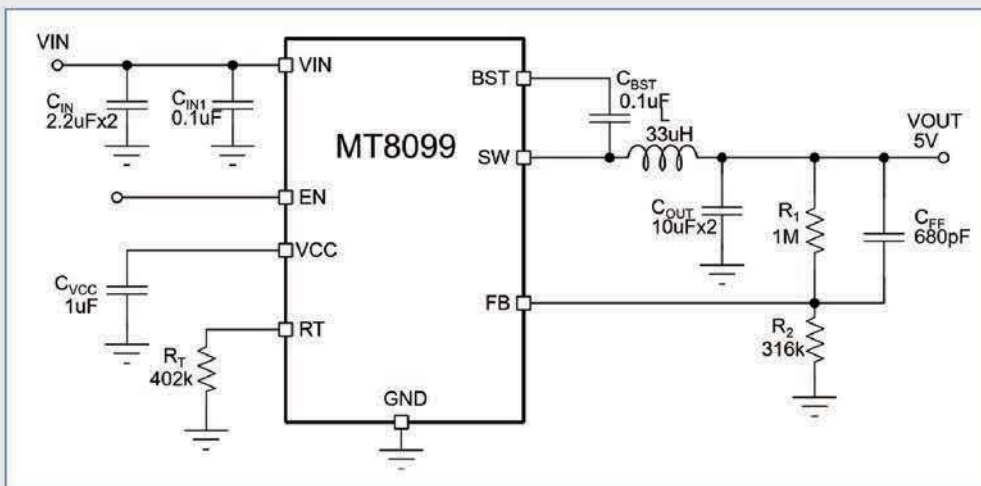
NEW GENERATION PRODUCTS

MT8099

80V Input 1A synchronous step-down converter

FEATURES

Over-Temperature Protection	Precision 1.2V internal reference voltage
Available in SOIC8EP Package	Adjustable switching frequency from 100kHz to 1200kHz
4.5V to 80V wide operating input range	Internal Soft-Start and loop compensation with pre-biased output capability
Ultra-low quiescent current 15uA	Programmable Cycle-by-Cycle current limiting protection and Short Circuit Protection with Hiccup
High efficiency PFM control	Accurate EN pin threshold voltage for programmable input UVLO protection



APPLICATIONS

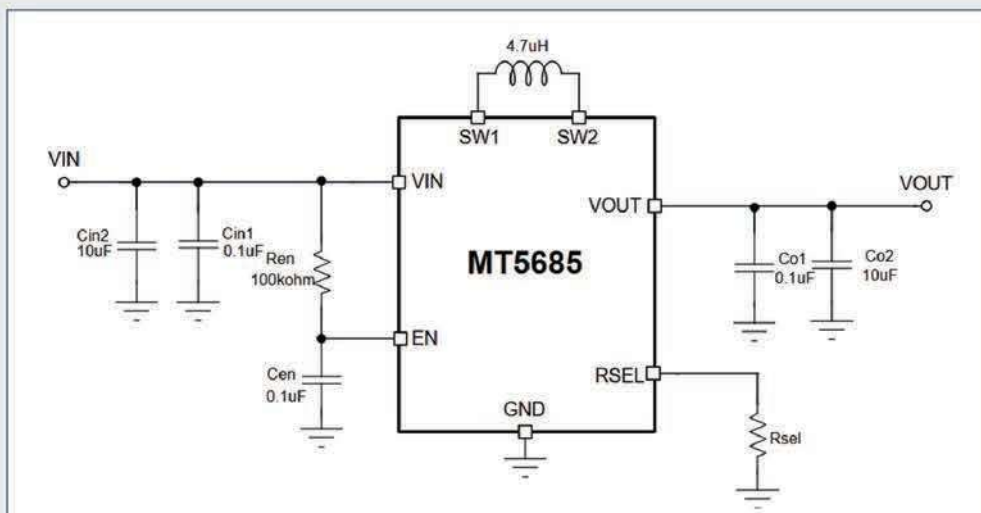
- 48 V Non-Isolated DC-DC Converter
- Automotive applications
- E-bike applications
- USB Type-C Power Delivery
- Industrial DC-DC
- General purpose

MT5685

250nA Ultra-Low Iq, wide input range, 650mA Synchronous Buck-Boost Converter

FEATURES

Input voltage range : 0.4V to 5.5V	250nA typical quiescent current
Switching Freq : 2MHz	Output voltage range : 1.8V to 5.5V RSEL pin select output voltage.
0.9V minimum input voltage for start-up	Typical output voltage 1.8V/2V/2.2V/2.5V/2.8V/3V/3.3V/3.5V/3.6V/4V/4.2V/4.5V/5V
Input operating voltage down to 0.4V	10nA typical shutdown current from VIN and SW
Thermal shutdown protections	Up to 90% efficiency at VIN = 3.6V, VOUT = 5V, and IOU = 10uA
DFN 2*2mm / SOT583 package	Up to 88% efficiency at VIN = 3.6V, VOUT = 5V, and IOU = 100mA
Peak current limit: 650mA	Automatic Ultra Low Power Mode/DCM/CCM mode transition



APPLICATIONS

- Wearable devices
- IOT applications
- Battery Powered Applications
- Solar or Fuel Cell Powered Applications
- Consumer and Portable Medical Products
- Personal Care Products

MT7932

32V 5A Load Switch with I2C Interface and Programmable Over-current Over-voltage protection for USB PD Application (IEC/UL 62368-1)



FEATURES

Wide Supply Voltage Range from 3.3V to 33V

36V ABM rating on Port VBUS1 and VBUS2

Integrate a 25mΩ Ultra Low R_{dson} Protection Switch

I2C Interface

- Programmable Soft-Start Time
- Programmable current limit
- Programmable ideal diode function
- Programmable Input Over-voltage Threshold
- Programmable power direction

Each Port VBUS1/VBUS2 Independent Control

Analog current monitoring output signal for load current on both ports

Enable Interface Pin

Port Discharge Interface Pin

Bi-direction Control with reverse blocking function

Fast Role Swap

Protection:

- OCP/OVP/UVP
- Thermal Shutdown Protection and Auto Recovery
- Thermal Warning indicator

Fault Indicator

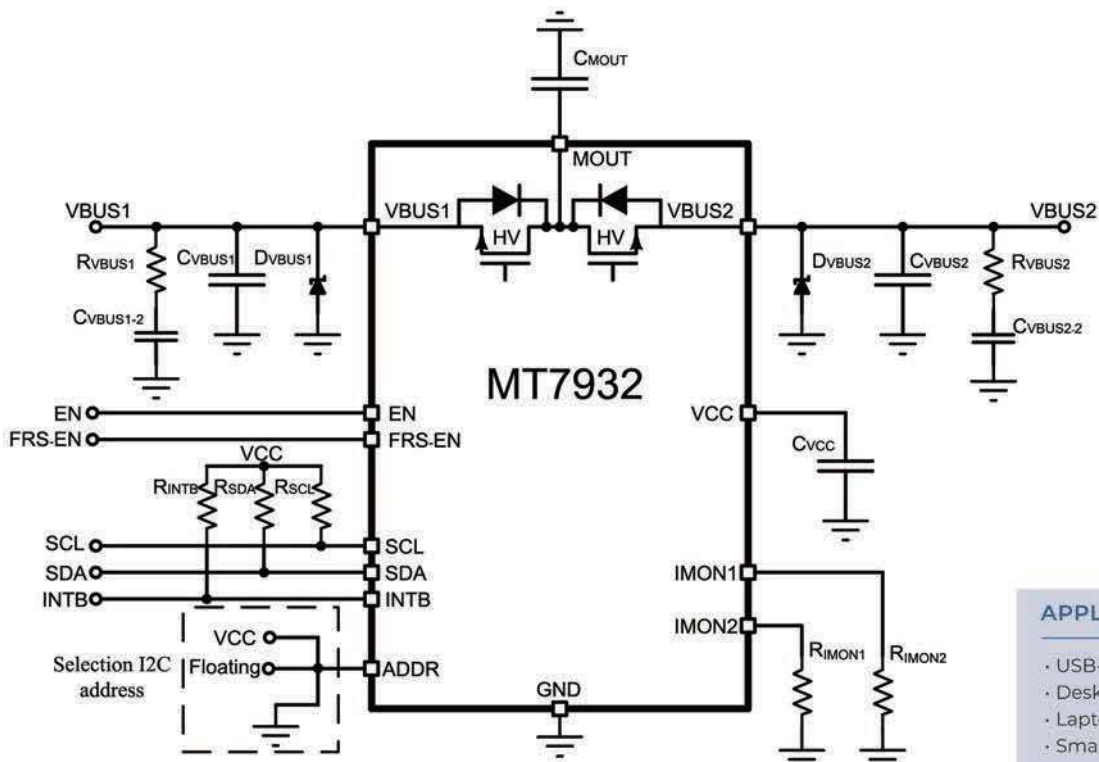
UL/CB IEC 62368-1, File no. E521699

IEC/UL Safety approvals:

Conditions: 33V_{in} and 4.5A continues load current

Protective Current Limit Rating: 4.7A

Compact Package QFN 3x3_16L



APPLICATIONS

- USB-C/ PD HUB
- Desktop PC
- Laptop PC
- Smart Phone

M3TEK

M3 Technology Inc.



• **台北总公司**

114063 台北市内湖区瑞光路358巷38弄36号9楼
+886-2-2656-0961

• **台湾竹北**

30264 新竹县竹北市胜利一路1号12楼
+886-3-657-9760

• **西安分公司**

710075 西安市高新区高新三路九号信息港
大厦5层501室
+86-29-89181377 / +86-29-89181378

• **中国深圳-华南**

深圳市南山区西丽街道西丽
社区仙元路8号传音大厦21楼
2106

• **中国苏州-华东**

+86-15850-182-362



官方网站

🌐 www.m3tekic.com
✉ sales@m3tekic.com



选型手册

Let's power
the next innovation.