

**5.5V 4A Low-Ron Power Distribution Load Switch**

**Description**

The MT7692 is a compact, low  $R_{ON}$  load switch with controlled slew rate. The device operates over an input voltage range of 2.5V to 5.5V and can support maximum continuous current of 4A.

The controlled output slew rate greatly reduces inrush current at start-up when charging large bulk load capacitances, thereby minimizes input supply voltage droop. MT7692 comes with built-in full protections against over current, over voltage and over temperature. MT7692 provides an accurate enable threshold which allows users to program input under-voltage lockout (UVLO) threshold through external resistor divider network. MT7692 has built-in 30Ω resistor for quick output discharge at disable. MT7692 is available in small 4-pin 1.2mm X1.6mm DFN (MT7692N) and 5-pin SOT235 (MT7692A) packages.

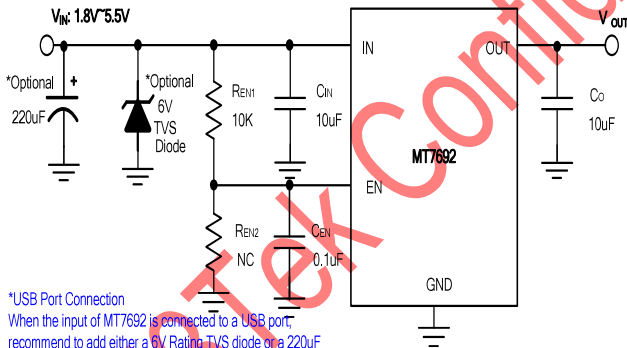
**Features**

- Wide Input Range from 1.8V to 5.5V
- Low  $R_{ON}$ :
  - 26mΩ for MT7692N
  - 48mΩ for MT7692A
- Up to 4A continuous current
- 250μs internal Soft-start for 5V output
- Built-in Over-Voltage, Over-Current and Over Temperature Fault Protections
- Accurate 1.2V Enable Threshold
- Quick Output Discharge in Shutdown

**Application**

- Solid-state Drives
- Wearable IOT Devices
- Portable Medical Equipment
- Portable Media Players
- Smartphones and Tablets

**Typical Applications**



**\*USB Port Connection**  
 When the input of MT7692 is connected to a USB port, recommend to add either a 6V Rating TVS diode or a 220μF Aluminum Cap to absorb input surge current during USB cable hot plug-in.

**MT7692N  $R_{ON}$  vs. Input Voltage**

