

**5.5V 4A Load Switch with 28V Output Reverse Block & Adjustable Current Limit**

**DESCRIPTION**

The MT7633 is a compact, low  $R_{ON}$  load switch with controlled slew rate. The device operates over an input voltage range of 2.7V to 5.5V and can support maximum 4A continuous current. The controlled output slew rate greatly reduces inrush current at start-up when charging large bulk load capacitances, thereby minimizes input supply voltage droop. MT7633 comes with built-in full protections against over current, over voltage and over temperature. MT7633 also has reverse blocking function that prevents current flowing from output to input when MT7633 is disabled. The MT7633 is available in small 6-pin TSOT236 packages.

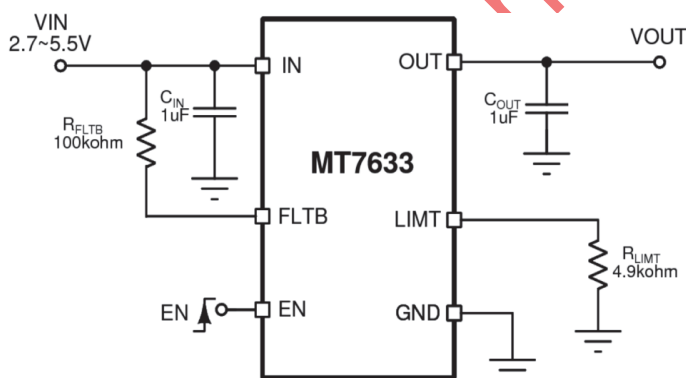
**FEATURES**

- Wide Input Range from 2.7V to 5.5V
- 28V Absolute Max Ratings at OUT pin
- Low  $R_{ON}$  30m $\Omega$  at  $V_{IN}=5V$
- Up to 4A continuous load current
- Built-in 1.4ms Soft-start for 5V output
- Built-in Input Over-Voltage, Over-Current and Over Temperature Fault Protections
- Reverse Blocking Function allows  $V_{OUT}$  be to higher than  $V_{IN}$  in shutdown
- RoHS and Halogen free compliance
- ESD Human body model(HBM)+/-2KV Pin1 (VOUT)+/-4KV

**APPLICATIONS**

- USB Host and Self Powered Bubs
- Portable Medical Equipment
- USB PD power source switch
- Smart phone and tablet
- Notebook, Ultrabook, and desktop
- Battery Charger Circuits

**TYPICAL APPLICATIONS**



**$R_{ON}$  vs. Input Voltage**

