

**DESCRIPTION**

The MT7235 emulates a 5A very low forward voltage diode that used in high current diode and diode-OR applications. The MT7235 integrates a 35mohm N-Channel MOSFET to obtain higher efficiency and smaller board area to replace a Schottky diode. MT7235 detects the forward voltage drop across the MOSFET to ensure the current transfer from one path to the other path smoothly, so it is easily used in the multiple power supplies OR applications that can effectively increase total system reliability. When the input supply fails or is shorted to ground, a fast circuitry can turn off the MOSFET immediately to reduce the reverse current.

MT7235 is available in low profile 8 lead DFN 2mmx3mm package.

**FEATURES**

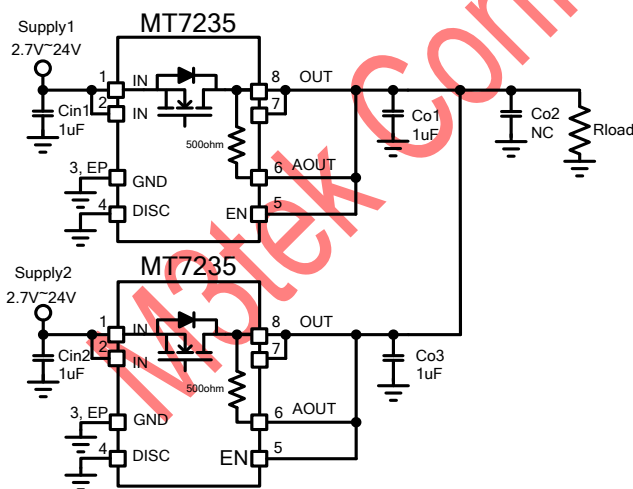
- Wide Input Range from 2.7V to 24V Surge up to 28V
- Replace a Power Schottky diode with an Integrated 35mΩ N-Channel MOSFET
- Fast Turn-off Limits Reverse Current
- Smooth Current Transfer from One Power to the Other Power
- Input Supply Rail Discharging Function
- Available in 8 lead 2mmX3mm DFN Packages

**APPLICATION**

- USB PD TypeC Ports
- N+1 Redundant Power Supplies
- Telecom Infrastructure
- Automotive Systems

**TYPICAL APPLICATION**

**24V 5A Power OR Circuit**



**Power Dissipation Vs Load Current**

