

2A Source/Sink Current DDR Termination Regulator

DESCRIPTION

MT7217 is a Double Data Rate (DDR) termination regulator which could source/sink large current. MT7217 integrates many protection mechanisms to protect the device and downstream load connected to its output, including UVLO, over current protection and over temperature protection, it also integrates internal soft start time to control output voltage slew rate and limit the in-rush current during start up. MT7217 maintains good stability with a minimum output capacitor of 10uF when a fast load transient happens. MT7217 supports a remote sensing function and all power requirements DDR, DDR2, DDR3 and Low Power DDR3/DDR4 VTT bus termination. MT7217 supports all of the DDR power states, putting VO to High-Z in S3 state and discharging VO and REFO in S4 or S5 state. MT7217 is available in low profile DFN2X2_10L package.

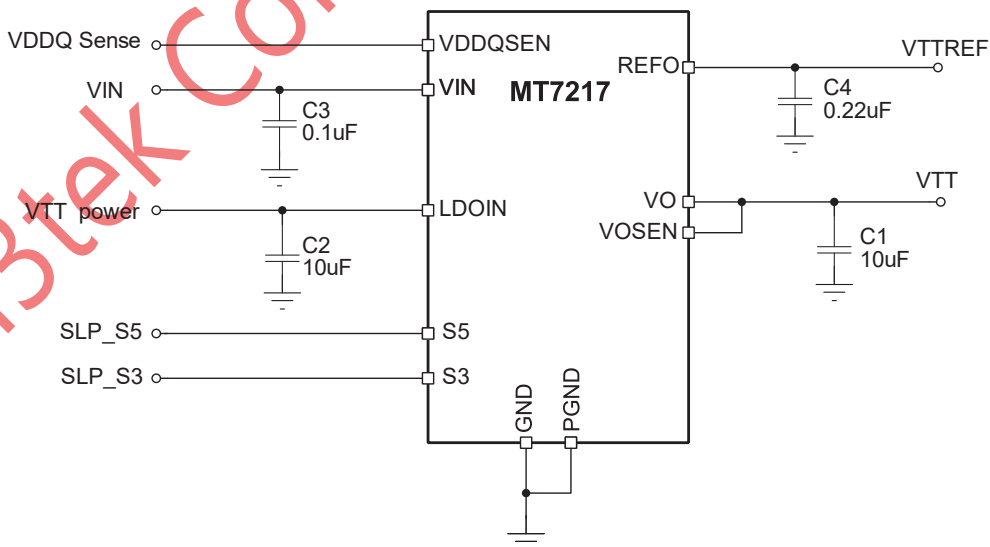
FEATURES

- Input Voltage: Support 3.3V Rail and 5V Rail
- LDOIN Range: VO+0.4V~3.5V
- VO Range: 0.5V~0.9V
- Up to 2A Source/Sink Current from OUT
- Minimum Output Capacitor Requirement of 10uF
- Support High-Z in S3 state and Soft-stop in S4 or S5 state
- VO Tracks 1/2 of VDDQSEN with ±1% Accuracy
- Remote Sensing (VOSEN)
- +/-10mA Buffered Reference (REFOUT)
- Built in Soft Start, UVLO, OCP and OTP
- Meets DDR, DDR2 JEDEC Specifications; Support DDR3 and Low Power DDR3/DDR4 VTT Bus Termination
- DFN2X2_10L Packages

APPLICATIONS

- Memory Termination Regulator For DDR, DDR2, DDR3 and Low Power DDR3/DDR4
- Notebook/Desktop/Server
- Telecom/Datacom
- LCD-TV/PDP_TV, Copier/Printer
- Set-Top Box

TYPICAL APPLICATIONS



Standard DDR Application