

**3A Source/Sink Current DDR Termination Regulator**

**DESCRIPTION**

MT7216 is a Double Data Rate (DDR) termination regulator which could source/sink large current. MT7216 integrates many protection mechanisms to protect the device and downstream load connected to its output, including UVLO, over current protection and over temperature protection, it also integrates internal soft start time to control output voltage slew rate and limit the in-rush current during start up.

MT7216 maintains a good stability with a minimum output capacitor of 10uF when a fast load transient happens. MT7216 supports a remote sensing function and all power requirements DDR, DDR2, DDR3 and Low Power DDR3/DDR4 VTT bus termination.

MT7216 provides a PGOOD signal to report the output voltage, and the enable signal can be used to discharge output voltage during S3 state for DDR applications.

MT7216 is available in low profile DFN3X3\_10L package.

**FEATURES**

- Input Voltage: Support 3.3V Rail
- LDOIN Range:1.1V~3.5V
- OUT Source/Sink Current Up to 3A
- Minimum Output Capacitor Requirement of 10uF (Typically 3x10uF MLCCs) For Memory Termination Applications (DDR)
- PGOOD Indicator of Output Voltage
- REFIN Allows for Input Tracking Either Directly or Through Resistor Divider
- Remote Sensing (VOSEN)
- +/-10mA Buffered Reference (REFOUT)
- Built in Soft Start, UVLO, OCP and OTP
- Meets DDR, DDR2 JEDEC Specifications; Support DDR3 and Low Power DDR3/DDR4 VTT Bus Termination
- DFN3X3\_10L Packages

**APPLICATIONS**

- Memory Termination Regulator For DDR, DDR2, DDR3 and Low Power DDR3/DDR4
- Notebook/Desktop/Server
- Telecom/Datacom
- LCD-TV/PDP\_TV, Copier/Printer
- Set-Top Box

**TYPICAL APPLICATIONS**

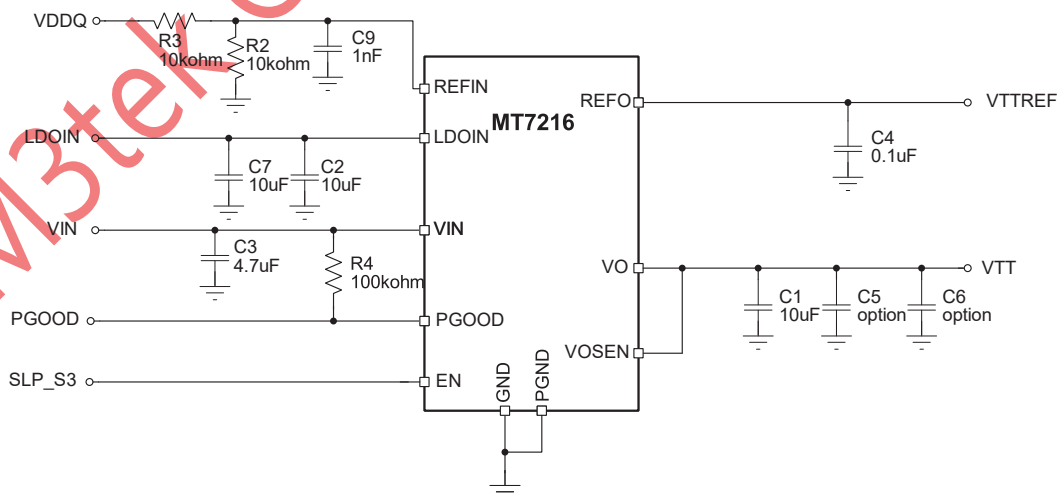


Figure 1. Standard DDR Application