

3A, Ultra-Low Dropout Voltage Regulator

DESCRIPTION

The MT7113 is a positive voltage regulator which has very low dropout voltage with integrated N-channel MOSFET. It operates with a wide input voltage range from 1V to 5.5V with programmable output voltage as low as 0.8V, and supports a large current up to 3A. The MT7113 features ultra-low dropout, ideal for applications where VOUT is very close to VIN. Additionally, pull enable pin above ON threshold to enable IC, and reduce power dissipation while shutdown.

The MT7113 provides multiple protection modes. They are a robust defense against overload, short circuit, over temperature, an internal defined soft start time will avoid input inrush current effectively. It also provides excellent regulation over variations in line, load and temperature. Additionally, a power good signal will turn to high level when the output voltage reaches 90% of its rating value.

MT7113 is available in low profile 10 leads DFN 3mm x 3mm package and 8 leads SOP8-EP package.

FEATURES

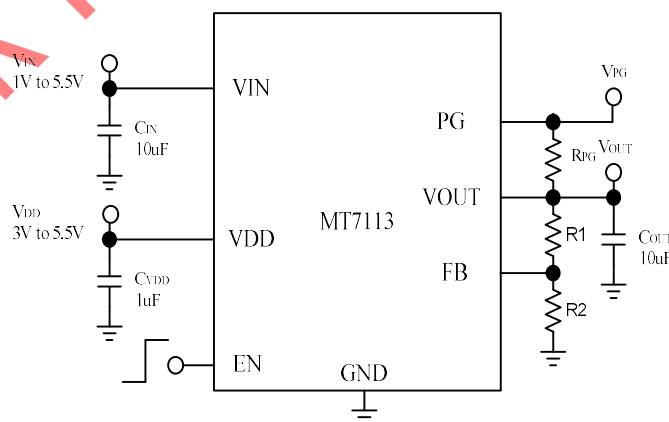
- Wide Input Voltage Range from 1V to 5.5V
- Output Voltage Low to 0.8V
- Output Current up to 3A
- Dropout Voltage 250mV @ 3A Typically
- VOUT Power Good Signal
- VOUT Discharge Resistance when Disable
- Current Limiting Protection
- Thermal Shutdown Protection
- Available in a 10-pin DFN3x3 and 8-pin SOP8-EP Package
- RoHS Compliant and Halogen Free

APPLICATIONS

- Notebook PC Applications
- Motherboard Applications

TYPICAL APPLICATION

Adjustable Voltage Regulator



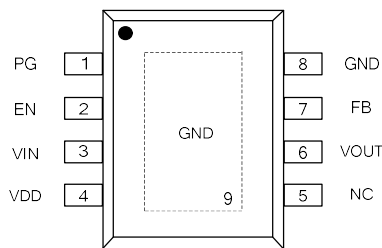
3A, Ultra-Low Dropout Voltage Regulator

Ordering Information

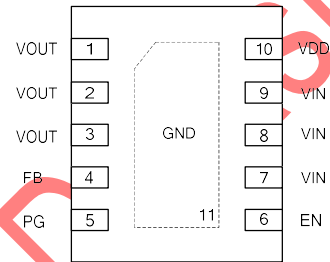
Part No.	Marking	Temp. Range	Remark	Package	MOQ
MT7113NSPR	MT7113 YWWxx	-40°C ~+85°C	Adjustable Vout	SOP8_EP	2500/Tape & Reel
MT7113NDCR	MT7113 YWWxx	-40°C ~+85°C	Adjustable Vout	DFN3X3_10L	5000/Tape & Reel

Note: Y: Year, WW: Week, xx: Manufacture Code

Pin Configuration



SOP8-EP(Exposed Pad)



DFN3X3_10L

Functional Block Diagram

