

**250mA high PSRR Low Dropout Voltage Regulator****Description**

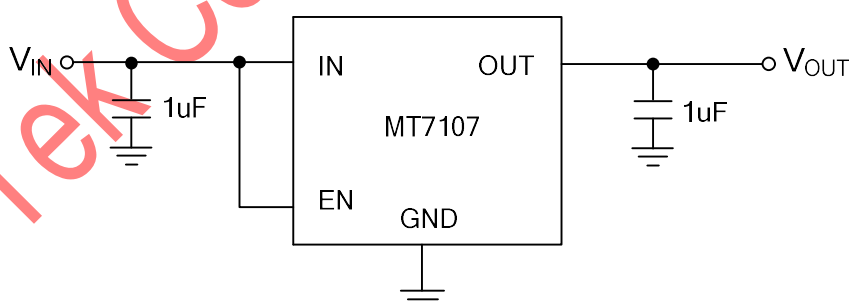
The MT7107 is a 250mA high PSRR Low Dropout (LDO) Linear Regulator that's ideal for RF and data communication applications. It consumes extremely low  $I_q$  of 14 $\mu$ A at no load, while offers superior PSRR over the full load range. MT7107 operates from 2.5V to 5.5V with built-in soft-start and 400mA current limit. Hiccup mode for over-load or short circuit condition and thermal shut down provides robust protection in the event of fault. The MT7107 is stable with 1.0 $\mu$ F ceramic output capacitor. MT7107 offers a wide range of fixed output voltage to choose from 0.9V, 1.05V, 1.1V, 1.2V, 1.5V, 1.8V, 2.5V, 2.8V, 3.0V and 3.3V. These devices are available in space saving SOT23\_5L and DFN 4L 1x1 package.

**Features**

- 14 $\mu$ A Quiescent Current
- Input Voltage Range 2.5V to 5.5V
- Up to 250mA Peak Output Current
- High PSRR up to 100kHz
- Built-in soft start
- Built-in Current Limit with Hiccup Mode Protection
- Accurate Threshold for Enable Pin
- Output Discharge in Shutdown
- Stable with a 1 $\mu$ F ceramic capacitor
- Available in SOT23\_5L Package and DFN 4L 1x1
- Pb-Free (ROHS compliant)

**Applications**

- Ultra-Low Power Microcontrollers
- Cellular/Cordless Handsets
- Portable/Battery-Powered Equipment

**Typical Application**

**Ordering Information**

Part No.	Marking	Temp. Range	Package	Remark	MOQ
MT7107USBR	7107U ywwxx	-40°C ~85°C	SOT23 5L	Vo=0.9V	3000/Tape & Reel
MT7107TSBR	7107T ywwxx	-40°C ~85°C	SOT23 5L	Vo=1.05V	3000/Tape & Reel
MT7107BSBR	7107B ywwxx	-40°C ~85°C	SOT23 5L	Vo=1.1V	3000/Tape & Reel
MT7107JSBR	7107J ywwxx	-40°C ~85°C	SOT23 5L	Vo=1.2V	3000/Tape & Reel
MT7107CSBR	7107C ywwxx	-40°C ~85°C	SOT23 5L	Vo=1.5V	3000/Tape & Reel
MT7107DSBR	7107D ywwxx	-40°C ~85°C	SOT23 5L	Vo=1.8V	3000/Tape & Reel
MT7107ESBR	7107E ywwxx	-40°C ~85°C	SOT23 5L	Vo=2.5V	3000/Tape & Reel
MT7107GSBR	7107G ywwxx	-40°C ~85°C	SOT23 5L	Vo=2.8V	3000/Tape & Reel
MT7107HSBR	7107H ywwxx	-40°C ~85°C	SOT23 5L	Vo=3.0V	3000/Tape & Reel
MT7107SSBR	7107S ywwxx	-40°C ~85°C	SOT23 5L	Vo=3.3V	3000/Tape & Reel
MT7107UGCR	TU yw	-40°C ~85°C	DFN 4L 1x1	Vo=0.9V	3000/Tape & Reel
MT7107JGCR	TJ yw	-40°C ~85°C	DFN 4L 1x1	Vo=1.2V	3000/Tape & Reel
MT7107CGCR	TC yw	-40°C ~85°C	DFN 4L 1x1	Vo=1.5V	3000/Tape & Reel
MT7107DGCR	TD yw	-40°C ~85°C	DFN 4L 1x1	Vo=1.8V	3000/Tape & Reel
MT7107EGCR	TE yw	-40°C ~85°C	DFN 4L 1x1	Vo=2.5V	3000/Tape & Reel
MT7107GGCR	TG yw	-40°C ~85°C	DFN 4L 1x1	Vo=2.8V	3000/Tape & Reel
MT7107HGCR	TH yw	-40°C ~85°C	DFN 4L 1x1	Vo=3.0V	3000/Tape & Reel
MT7107SGCR	TS yw	-40°C ~85°C	DFN 4L 1x1	Vo=3.3V	3000/Tape & Reel

Note: y: Year, w: Week, xx: Control Code

**Pin Configuration**

