

DESCRIPTION

The MT5037 devices provide a power supply solution for products powered by either a one-cell Li-Ion or Li-polymer battery. The converter generates a stable output voltage that is either adjusted by an external resistor divider or fixed internally on the chip. It provides high efficient power conversion and is capable of delivering output currents up to 1.5A at 5V at a supply voltage down to 3V. The maximum peak current in the step-up switch is limited to a value of 4A. The MT5037 operates at 800kHz switching frequency and enters pulse-skip-mode (PSM) operation at light load currents to maintain high efficiency over the entire load current range. During shutdown, the load is completely disconnected from the battery.

FEATURES

- Synchronous Step-up Converter with 2.5A Output Current From 3V Input
- Wide V_{IN} Range From 2.5V to 5.5V
- Input Under-voltage Lockout Protection
- Fixed and Adjustable Output Voltage
- Built-in Output Over-voltage Protection
- Light-Load Pulse Skip Mode
- Load Disconnect During Shutdown
- Output Short Circuit Protection
- Thermal Shutdown Protection
- Available in a DFN3x3mm_10L Packages
- RoHS Compliant (100% Green Available)

APPLICATIONS

- Power Bank
- USB Charging Port (5V)
- DC/DC Micro Modules
- Electrical Cigarettes

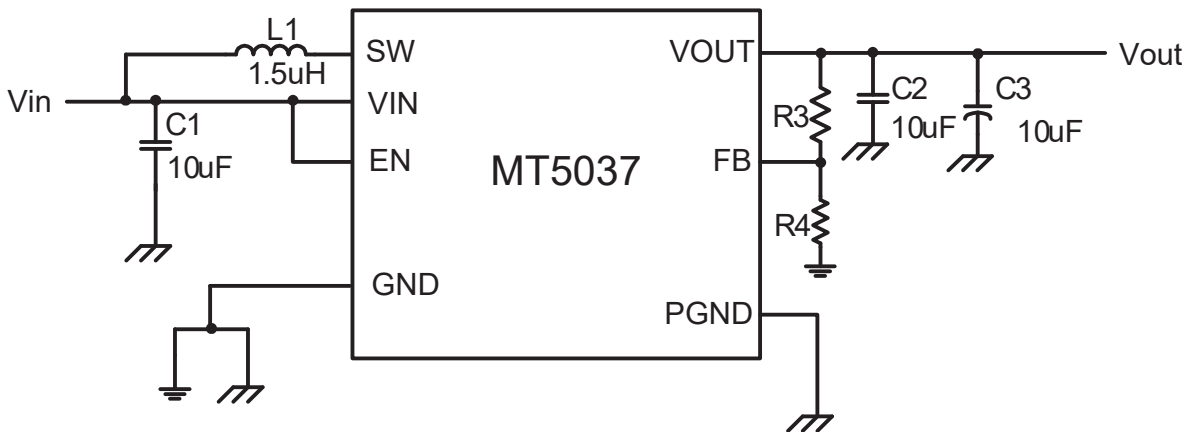


Figure 1. MT5037 Typical Application Circuit