

6V 6A 1.2MHz Fast-PWM Synchronous Step-Down Converter

DESCRIPTION

The MT3196 is a 6A high efficiency constant on-time controlled synchronous step-down converter. It operates with input voltage from 2.7V to 6V and provides output range from 0.6V to as high as input level, thanks to its 100% duty cycle operation. Its advanced constant on-time control Fast-PWM scheme simplifies loop compensation and offers excellent load transient response while maintaining a relatively constant 1.2MHz switching frequency. MT3196 (MODE=0V) consumes extremely low 18μA quiescent current hence achieves superior light load efficiency. The high gain error amplifier in the control loop provides excellent load and line regulation. For fault tolerant operation, MT3196 has cycle-by-cycle current limit protection and hiccup mode for short circuit or over-load condition. MT3196 is available in 12 lead QFN 2mmx3mm package and ideal for high performance, portable applications.

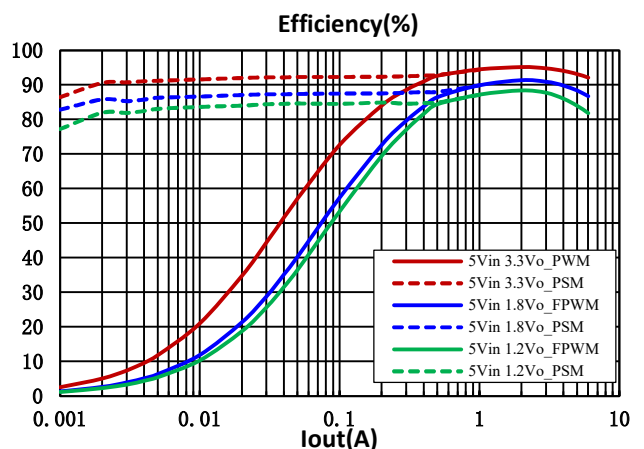
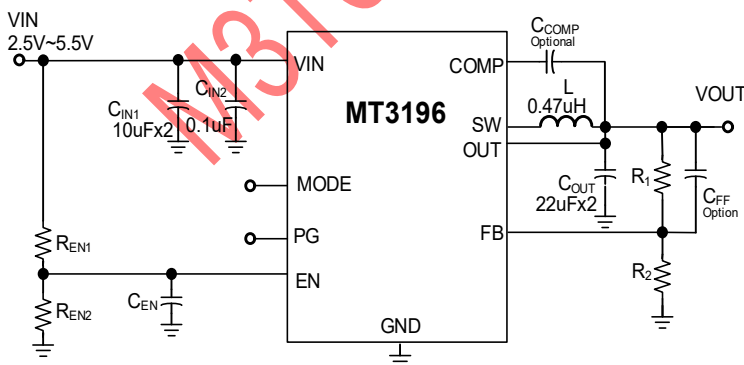
FEATURES

- Wide Input Range from 2.7V to 6V
- +/- 1% 0.6V Feedback Voltage Accuracy
- 18μA Quiescent Current (MODE=0V)
- High Efficient Light Load Mode Control
MODE=0V: Pulse Skip Mode (PSM)
MODE=VIN: Forced PWM Mode (FPWM)
- 6A Output Current
- High Efficiency up to 97%
- Internal 2.1msec Soft-Start
- 100% Duty Cycle Operation
- Built-in Ultra Low Ron High Side and Low Side Power Switches
- Cycle-by-cycle Current Limit Protection
- Hiccup Mode for Short Circuit and Over-Load Protection
- Internal 500k pull up resistor Power Good Indicator
- Thermal Shutdown Protection
- Stable with low ESR ceramic Output Capacitors
- Available in a Small QFN 2mmx3mm_12L Package
- Pb-Free RoHS Compliant

APPLICATIONS

- Solid-State and Hard Disk Drives
- Portable / Handheld Devices
- WiFi Module, Set-top Boxes
- DC/DC Micro Modules

TYPICAL APPLICATIONS



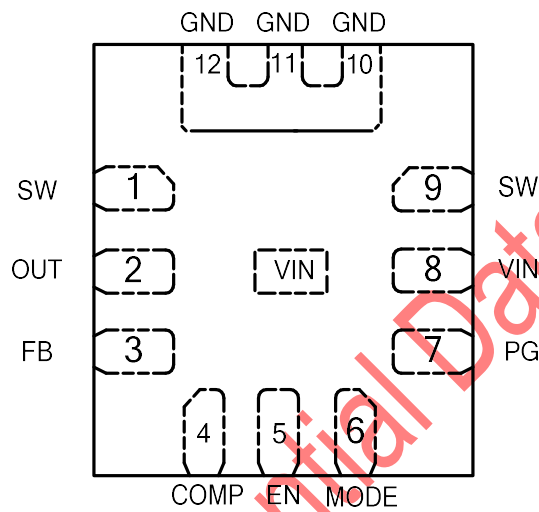
6V 6A 1.2MHz Fast-PWM Synchronous Step-Down Converter

Ordering Information

Part No.	Marking	Temp. Range	Package	MOQ
MT3196NFGR	MT3196 YWWxx	-40°C ~+85°C	QFN2X3_12L	3,000/Reel

Note: Y: Year, WW: Week, x: Manufacture Code

PIN CONFIGURATION



MT3196_QFN2x3_12L TOP VIEW