

DESCRIPTION

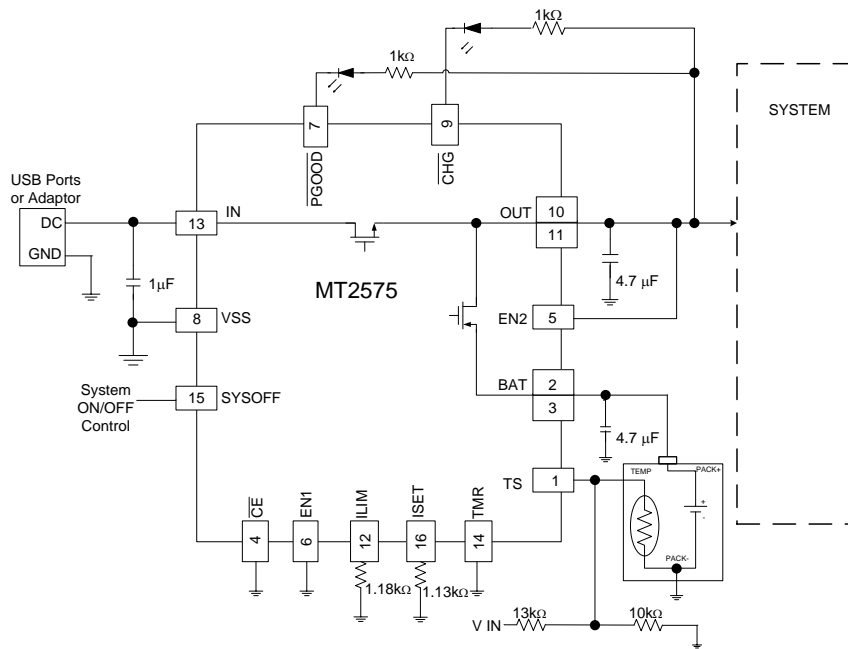
The MT2575 are integrated Li-ion linear chargers with system dynamic power path management. The devices operate from either a USB port or AC adapter and support charge currents up to 1.5A. The input overvoltage protection supports unregulated adapters. The built-in USB input current limit and start up sequence allow the MT2575 to meet USB-IF inrush current specification. The MT2575 features dynamic power path management (DPPM) that powers the system while simultaneously and independently charging the battery. The DPPM circuit reduces the charge current when the input current limit causes the system output to fall below the DPPM threshold. This feature enables the system to run with a defective or absent battery pack.

FEATURES

- 20V Input Rating with Over-voltage Protection
- Programmable Input Current Limit Up to 1.5A for AC Adapters
- Selectable USB3.0 and USB2.0 Input Current
- Automatic Input Current Limit Foldback for Different Current Rating USB Ports and Adapters
- Up to 1.5A Programmable Charge Current with Charge Current Monitoring Output (ISET)
- Integrated Dynamic Power Path Management (DPPM) Function Simultaneously Powers the System and Charges the Battery
- Reverse Current and Short-Circuit Protection
- IC Thermal Regulation and Protection
- Flexible Voltage Based NTC Thermistor Input
- Status Indication – Charging/Done
- Available in a Small 3 mm x 3 mm QFN-16

APPLICATIONS

- Smart Phone and GPS
- Tablet PCs and Ebooks



MT2575 Typical Operating Circuit